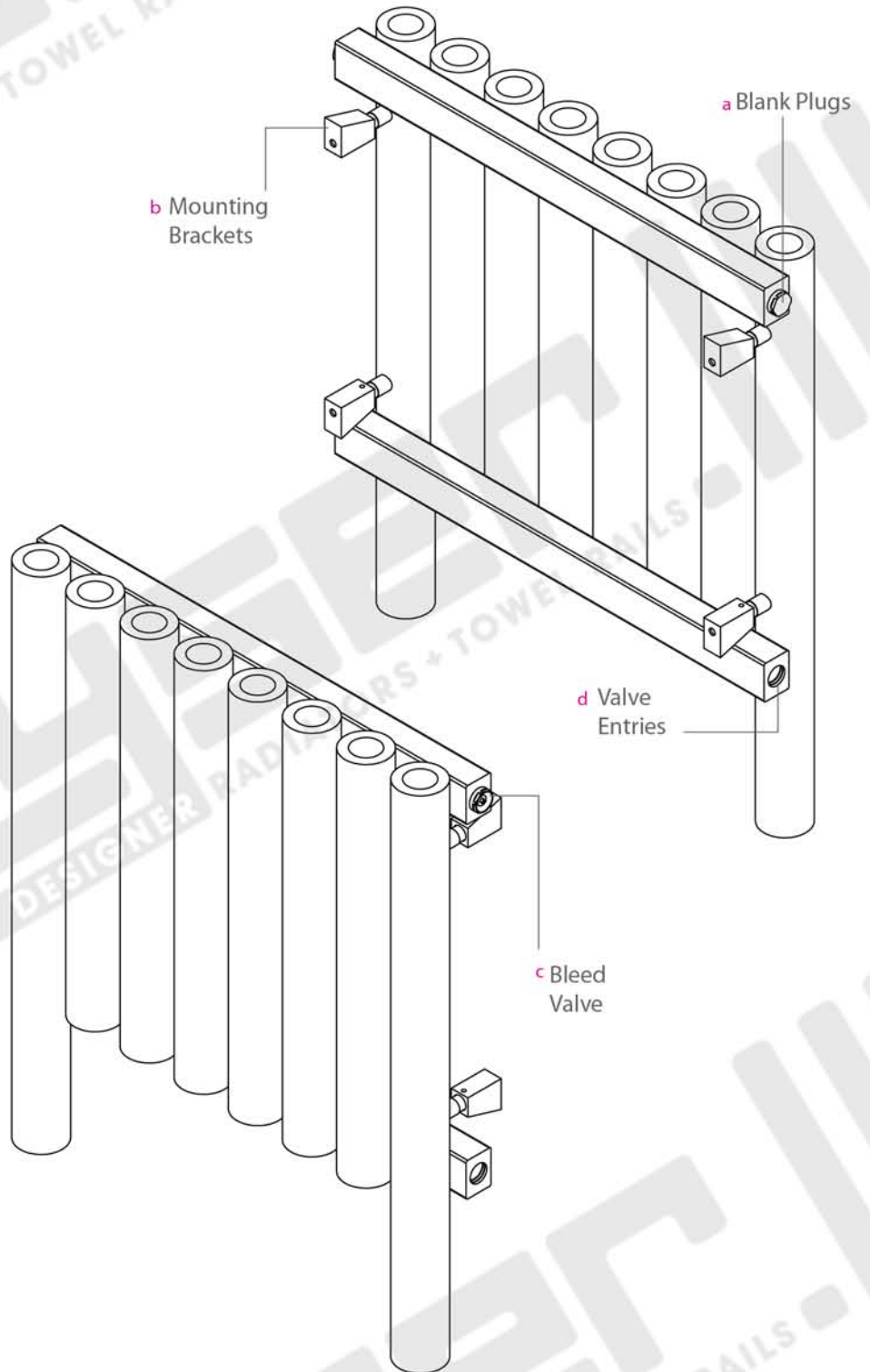
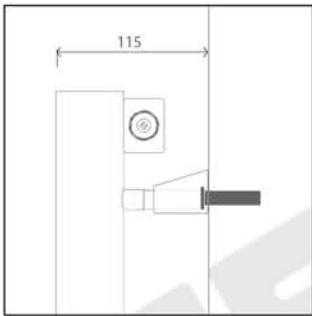
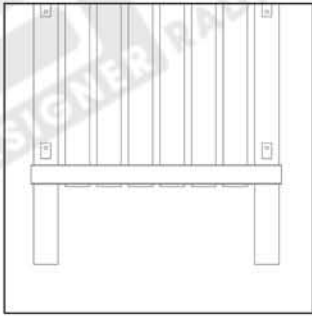
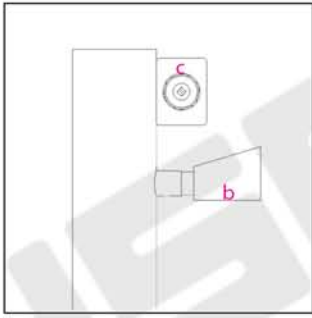
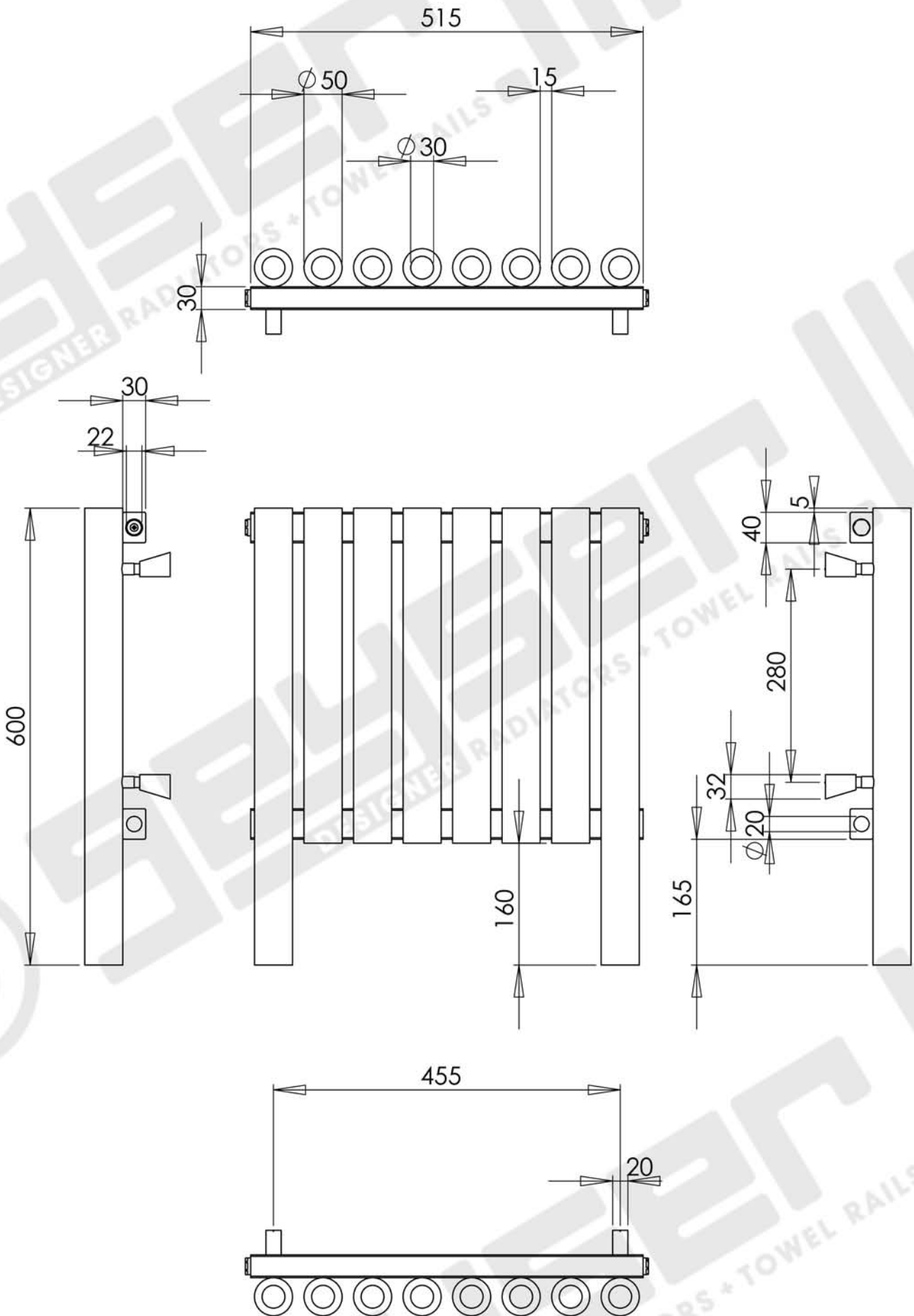


CYLINDER 600H x 515W



CYLINDER 600H x 515W



Measurements: mm